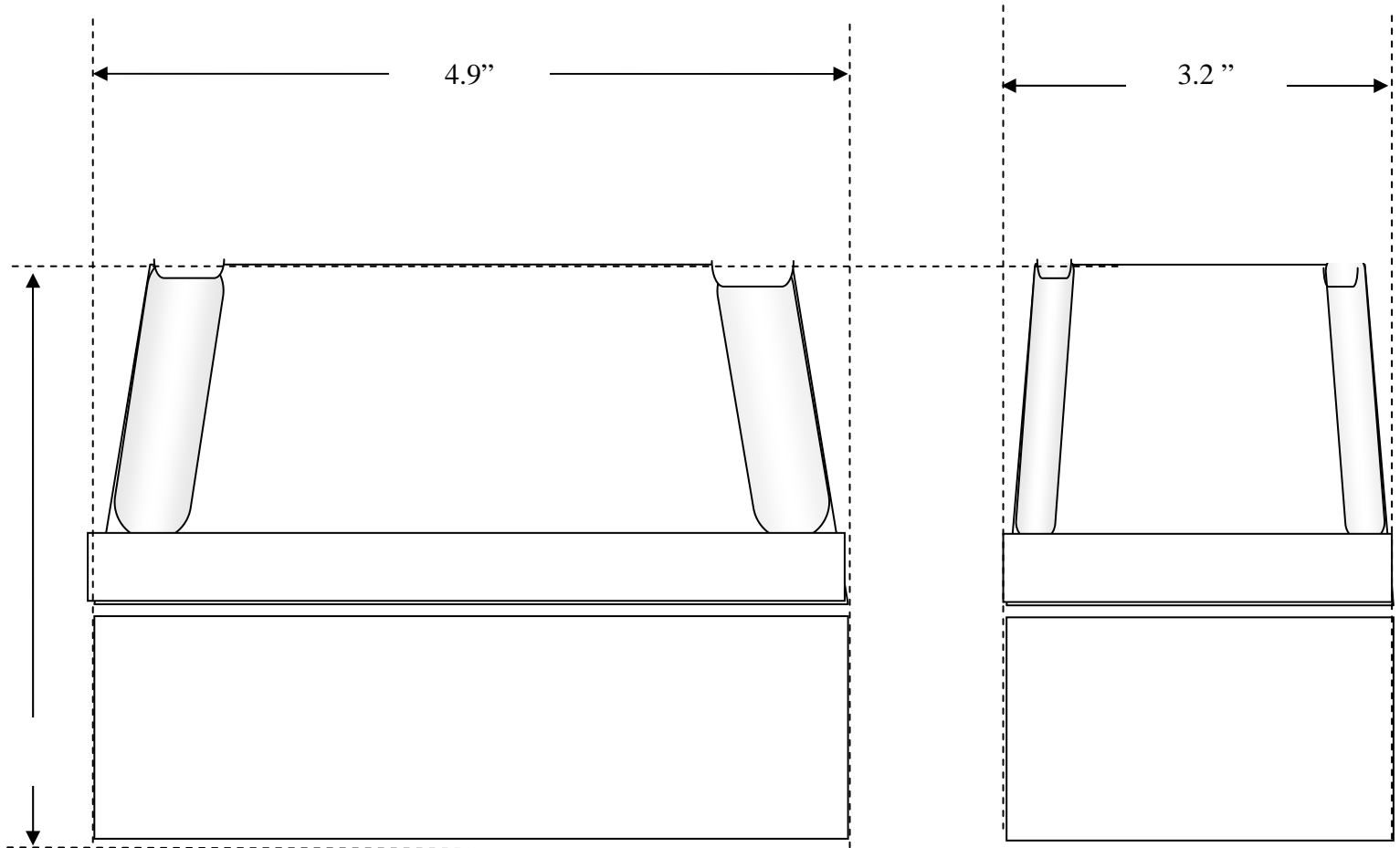




OPTIONAL RED PILOT  
LIGHT CPLT



5.1"



**Part # 208C**

NEMA 4X single gang power connection  
Junction box with 3 DIN rail terminals  
CPLT120 (120VAC) **Order Separately**  
CPLT240 (240VAC) **Order Separately**



**du Alaska Incorporated**

Anchorage Alaska 907-522-3004

DWG. NO 1.18.2008	DATE 1/18/2008	REV
DRAWN BY chd	SCALE - NONE	SHEET 1 OF 1